

MSUD VALVE PLUG FORM A 18MM CABLE BRIDGE RECTIFIER

PVC 3X0.75 GRAY, 1.5m

Form A (18 mm)

4-pole

24 V AC/DC $\pm 10\%$

VDR + LED

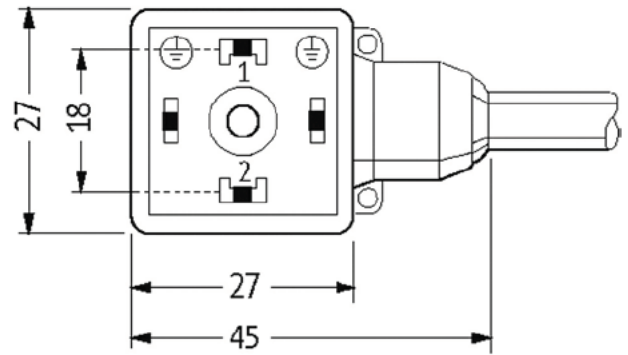
Further cable lengths on request.

Past housings with good resistance against chemicals and oils.

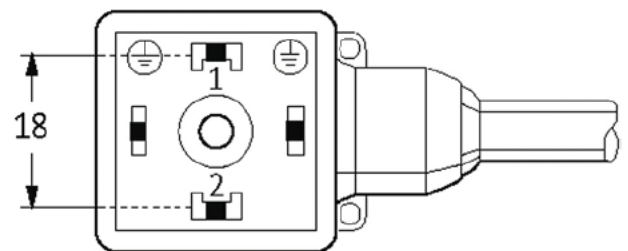
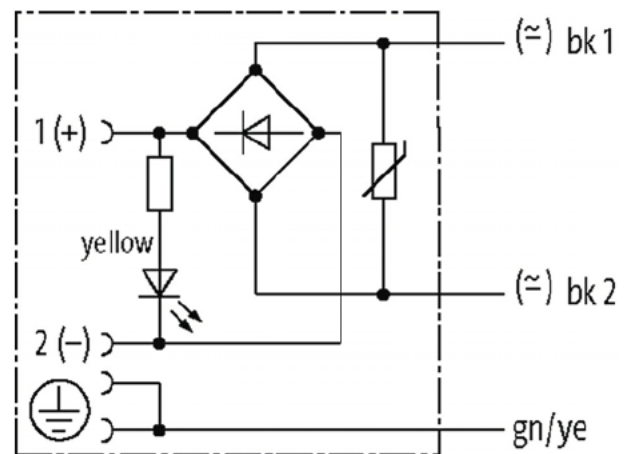
The resistance to aggressive media should be individually tested for your application. Further details on request.

[Link to Product](#)

Illustration



Height: 30 mm



Product may differ from image

Approvals



Form	
Form	830
General data	
Mounting method	inserted tightened
Material (contact)	Copper alloy
Material (contact surface)	Ag
Pollution Degree	3
Temperature range	25 +85 °C depending on cable quality
Cables	
No /diameter of wires	3× 0.75 mm ²
Wire isolation	PVC (bk num gnye)
Material (jacket)	PVC
Outer Ø	5.9 mm 5%
Bend radius (moving)	0× outer Ø
Temperature range (fixed)	30 +70 °C
Temperature range (mobile)	5 +70 °C
Cable identification	2 6
Cable Type	(PVC)
Approval (cable)	CE conform
Cable weight [g/m]	63.80
Material (wire)	Cu wire bare
Resistor (core)	max 26 Ω/km (20 °C)
Single wire Ø (core)	0.2 mm
Construction (core)	24× 0.2 mm (multi strand wire class 5)
Diameter (core)	3× 0.75 mm ²
AWG	similar to AWG 8
Material (wire isolation)	PVC
Material property (wire isolation)	CFC cadmium silicone and lead free
Shore hardness (wire isolation)	43 5 D
Wire Ø incl isolation	8 mm 5%
Color/numbering of wires	bk numbered gnye longitudinally striped
Stranding combination	3 wires twisted
Shield	no
Material (jacket)	PVC
Material property (jacket)	CFC cadmium silicone and lead free
Shore hardness (jacket)	80 5 A
Outer Ø (jacket)	5.9 mm 5%
Color (jacket)	gray
chemical resistance	good resistance to oil gasoline and chemicals
Nominal voltage	300/500 V AC
Test voltage	3000 V AC
Current load capacity	to D N VDE 0298 4
Temperature range (fixed)	30 +70 °C
Temperature range (mobile)	5 +70 °C

Bend radius (fixed)	5× outer Ø
Bend radius (moving)	0× outer Ø
Jacket Color	gray

Technical Data

Operating voltage	24 V AC/DC 0%
Rated surge voltage	0.8 kV
Operating current per contact	max. A
No. of poles	4
Current consumption	4 mA
Material group	EC 60664 category
Switch off peak	max. 3 V
LED display	yellow
Locking of ports	M3 (recommended torque 0.4 Nm)
Protection	P67 inserted and tightened (EN 60529)
Material	PBT
Housing	Black plastic (gray on request)
Additional suppressor	VDR

Commercial data

country of origin	CZ
customs tariff number	85444290
EAN	4048879342988
eClass	272792 8
Packaging unit	